

PRESSURE SWITCHES AND TRANSMITTERS

Electronic Pressure Switch, Hysteresis-Adjustable 100% of full Scale, 1/4" BSP



Electronic Pressure Switch with display 2x Switch outputs-Adjustable	Electronic Pressure Switch with 4-20 mA Output & Display 1x Switch Outputs	Operating Range
Part Number	Part Number	
S2400B101403	S2410B101003	-1..2 bar
S2400B045403	S2410B045003	-1..5 bar
S2400B047403	S2410B047003	-1..10 bar
S2400B071403	S2410B071003	0..2 bar
S2400B121403	S2410B121003	0..5 bar
S2400B075403	S2410B075003	0..10 bar
S2400B077403	S2410B077003	0..20 bar
S2400B785403	S2410B785003	0..50 bar
S2400B081403	S2410B081003	0..100 bar
S2400B082403	S2410B082003	0..160 bar
S2400B084403	S2410B084003	0..250 bar
S2400B086403	S2410B086003	0..400 bar
S2400B087403	S2410B087003	0..600 bar
S2400B101403	-	0..700 bar
EZE53X011010	Straight Connector M12x1 with 2m cable	
EZE53X011011	Angular Connector M12x1 with 2m cable	

Mechanical Pressure Switch with Adjustable Hysteresis

Change-over contact, adjustable, Zinc Plated Steel Body, NBR Diaphragm, 1/4"BSPP, 28VDC/2A, 250VAC/4A, IP65, Din Plug



Part Number	Range
S4250B071001	0.2..2 bar
S4250B076001	1..16 bar
S4250B133001	10..30 bar
S4250B153001	10..80 bar
S4250B866001	10..120 bar
S4250B083001	20..200 bar
S4250B085001	20..320 bar

Pressure Transmitters 4..20mA output. S/S Din Plug Connector



1/4 BSPP	1/2 BSPP	Range	1/4 BSPP	1/2 BSPP	Range
-	P3276B016001	-1..0 bar	P3297B075001	P3276B075001	0..10 bar
-	P3276B043001	-1..+1,5 bar	P3297B076001	P3276B076001	0..16 bar
-	P3276B045001	-1..+5 bar	P3297B078001	P3276B078001	0..25 bar
-	P3276B063001	0..0,1 bar	P3297B079001	P3276B079601	0..40 bar
-	P3276B065001	0..0,25 bar	P3297B080001	P3276B080601	0..60 bar
-	P3276B067001	0..0,6 bar	P3297B081001	P3276B081601	0..100 bar
P3297B069001	P3276B069001	0..1 bar	P3297B082001	P3276B082601	0..160 bar
P3297B070001	P3276B070001	0..1,6 bar	P3297B084001	P3276B084601	0..250 bar
P3297B072001	P3276B072001	0..2,5 bar	P3297B086001	P3276B086601	0..400 bar
P3297B073001	P3276B073001	0..4 bar	P3297B087001	P3276B087601	0..600 bar
P3297B074001	P3276B074001	0..6 bar	P3297B088001	P3276B088601	0..1000 bar

DIAL GAUGES

KPA / PSI

← 63 mm →

Liquid Filled
Dual Scale
Stainless Case
1/4" BSPT



Bottom Entry	Rear Entry	Range kPa / Psi
P1454L516007	P1453L516008	Vacuum -100..0 kPa / -30
P1454L543007	P1453L543008	Compound -100..+150 kPa/
P1454L544007	-	Compound -100..+300 kPa/
P1454L545006	P1453L545008	Compound -100..+500 kPa/
P1454L546006	P1453L546006	Compound -100..+900 kPa/
P1454L569010	P1453L569007	0..100 kPa / 14.5 psi
P1454L570007	P1453L570006	0..160 kPa / 23 psi
P1454L572010	P1453L572007	0..250 kPa / 36 psi
P1454L573009	P1453L573010	0..400 kPa / 58 psi
P1454L574011	P1453L574012	0..600 kPa / 87 psi
P1454L644006	P1453L644007	0..800 kPa / 115 psi
P1454L575011	P1453L575010	0..1000 kPa / 145 psi
P1454L576007	P1453L576008	0..1600 kPa / 230 psi
P1454L578010	P1453L578007	0..2500 kPa / 360 psi
P1454L579006	P1453L579006	0..4000 kPa / 580 psi
P1454L580007	P1453L580006	0..6000 kPa / 870 psi
P1454L596007	P1453L581006	0..10000 kPa / 1450 psi
P1454L582006	P1453L582006	0..16000 kPa / 2300 psi
P1454L584008	P1453L584008	0..25000 kPa / 3600 psi
P1454L586007	P1453L586007	0..40000 kPa / 5800 psi
P1454L587006	-	0..60000 kPa / 8700 psi

BAR / PSI

← 63 mm →

Liquid Filled
Dual Scale
Stainless Case
1/4" BSPP



Bottom Entry	Rear Entry	Range Bar / Psi
P1454B016001	P1453B016002	Vacuum -1..0 bar
P1454B069002	P1453B069004	0..1 bar / 14.5 psi
P1454B072002	P1453B072004	0..2.5 bar / 36 psi
P1454B073002	P1453B073004	0..4 bar / 58 psi
P1454B074002	P1453B074004	0..6 bar / 87 psi
P1454B075002	P1453B075004	0..10 bar / 145 psi
P1454B076002	P1453B076004	0..16 bar / 230 psi
P1454B078002	P1453B078004	0..25 bar / 360 psi
P1454B079002	P1453B079004	0..40 bar / 580 psi
P1454B080002	P1453B080004	0..60 bar / 870 psi
P1454B081002	P1453B081004	0..100 bar / 1450 psi
P1454B082002	P1453B082004	0..160 bar / 2300 psi
P1454B084002	P1453B084004	0..250 bar / 3600 psi
P1454B085013	P1453B085017	0..315 bar / 4500 psi
P1454B086002	P1453B086004	0..400 bar / 5800 psi
P1454B087002	P1453B087004	0..600 bar / 8700 psi
P1454B088002	-	0..1000 bar / 14500 psi

KPA / PSI

← 100 mm →

Liquid Filled
Dual Scale
Stainless Case
Brass wetted parts
3/8" BSPT



Bottom Entry	Rear Entry	Range kPa / psi
P1778L516007	P1779L516006	Vacuum -100..0 kPa / -30 inHg
P1778L543006	-	Compound -100..+150 kPa/psi
P1778L545009	-	Compound -100..+500 kPa/psi
P1778L546007	P1779L546008	Compound -100..+900 kPa/psi
P1778L567006	-	0..60 kPa / 8.7 psi
P1778L569009	-	0..100 kPa / 14.5 psi
P1778L570006	P1779L570006	0..160 kPa / 23 psi
P1778L572009	P1779L572006	0..250 kPa / 36 psi
P1778L573007	P1779L573006	0..400 kPa / 58 psi
P1778L574011	P1779L574006	0..600 kPa / 87 psi
P1778L644006	P1779L644006	0..800 kPa / 115 psi
P1778L575011	P1779L575007	0..1000 kPa / 145 psi
P1778L576010	P1779L576007	0..1600 kPa / 230 psi
P1778L578008	P1779L578006	0..2500 kPa / 360 psi
P1778L579006	P1779L579006	0..4000 kPa / 580 psi
P1778L580007	P1779L580006	0..6000 kPa / 870 psi
P1778L581007	P1779L581007	0..10000 kPa / 1450 psi
P1778L582008	P1779L582006	0..16000 kPa / 2300 psi
P1778L584008	P1779L584006	0..25000 kPa / 3600 psi
P1778L586008	P1779L586007	0..40000 kPa / 5800 psi
P1778L587008	-	0..60000 kPa / 8700 psi
P1778L588007	-	0..100000 kPa / 14500 psi

BAR / PSI

← 100 mm →

Liquid Filled
Dual Scale
Stainless Case
Brass wetted parts
3/8" BSPP



Rear Entry	Range
P1779B075002	0..10 bar
P1779B076002	0..16 bar
P1779B078002	0..25 bar
P1779B079002	0..40 bar
P1779B080002	0..60 bar
P1779B081002	0..100 bar
P1779B082002	0..160 bar
P1779B084002	0..250 bar
P1779B086002	0..400 bar
P1779B087002	0..600 bar

Accessories



Part Number	Rubber Shroud
A1307X010004	63mm RED
A1307X010005	63mm BLUE
A5941X003001	100mm BLUE



Part Number	63 mm 3 Hole Mounting Flange
AW001X195751	
Part Number	100 mm 3 Hole Mounting Flange
A6750X001178	

KPA / PSI

← 100 mm →

All Stainless Steel



Liquid Filled
Dual Scale
All Stainless Parts
1/2" NPT

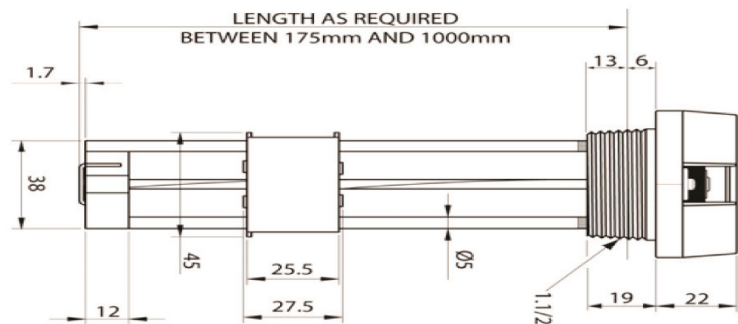
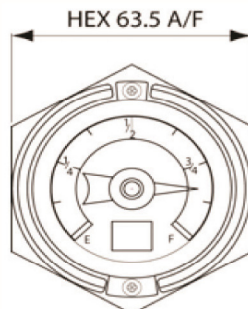


Bottom Entry	Rear Entry	Range kPa / psi
P2325L516010	P2329L516010	Vacuum -100..0 kPa / -30 inHg
P2325L545006	-	Compound -100..0..+500 kPa/psi
P2325L567008	-	0..60 kPa / 8.7 psi
P2325L569014	-	0..100 kPa / 14.5 psi
P2325L570008	-	0..160 kPa / 23 psi
P2325L572012	P2329L572011	0..250 kPa / 36 psi
P2325L573024	-	0..400 kPa / 58 psi
P2325L574010	P2329L574011	0..600 kPa / 87 psi
P2325L644006	-	0..800 kPa / 115 psi
P2325L575011	P2329L575006	0..1000 kPa / 145 psi
P2325L576011	P2329L576006	0..1600 kPa / 230 psi
P2325L578009	P2329L578008	0..2500 kPa / 360 psi
P2325L579011	P2329L579006	0..4000 kPa / 580 psi
P2325L580011	-	0..6000 kPa / 870 psi
P2325L581010	P2329L581007	0..10000 kPa / 1450 psi
P2325L582008	P2329L582006	0..16000 kPa / 2300 psi
P2325L584009	P2329L584007	0..25000 kPa / 3600 psi
P2325L586007	P2329L586007	0..40000 kPa / 5800 psi
P2325L587006	-	0..60000 kPa / 8700 psi

TANK LEVEL INDICATORS



Part Number	Depth	Connection
POWGLL-165	165mm	1-1/2"BSP
POWGLL-216	216mm	1-1/2"BSP
POWGLL-229	229mm	1-1/2"BSP
POWGLL-267	267mm	1-1/2"BSP
POWGLL-305	305mm	1-1/2"BSP
POWGLL-350	350mm	1-1/2"BSP
POWGLL-400	400mm	1-1/2"BSP
POWGLL-500	500mm	1-1/2"BSP
POWGLL-600	600mm	1-1/2"BSP
POWGLL-700	700mm	1-1/2"BSP
POWGLL-850	850mm	1-1/2"BSP
POWGLL-1000	1000mm	1-1/2"BSP



DIGITAL GAUGES AND TEST KITS

Digital Pressure Gauge Bottom Entry SS Case 4 Digit Display Programmable



Part Number	Range	Connection
P3961B071001	0-2 bar	1/4 BSPP
P3961B121001	0-5 bar	1/4 BSPP
P3961B075001	0-10 bar	1/4 BSPP
P3961B077001	0-20 bar	1/4 BSPP
P3961B785001	0-50 bar	1/4 BSPP
P3961B081001	0-100 bar	1/4 BSPP
P3961B082001	0-160 bar	1/4 BSPP
P3961B084001	0-250 bar	1/4 BSPP
P3961B086001	0-400 bar	1/4 BSPP
P3961B087001	0-600 bar	1/4 BSPP
P3961B104001	0-700 bar	1/4 BSPP

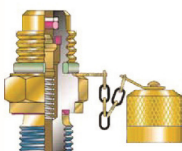
Test Kits



Part Number	
TK61002	Test Kit with P3961B072001 2 bar Digital Gauge
TK61005	Test Kit with P3961B121001 5 bar Digital Gauge
TK61010	Test Kit with P3961B075001 10 bar Digital Gauge
TK61020	Test Kit with P3961B077001 20 bar Digital Gauge
TK61050	Test Kit with P3961B785001 50 bar Digital Gauge
TK61100	Test Kit with P3961B080001 100 bar Digital Gauge
TK61250	Test Kit with P3961B084001 250 bar Digital Gauge
TK61400	Test Kit with P3961B086001 400 bar Digital Gauge
TK61600	Test Kit with P3961B087001 600 bar Digital Gauge
TK61700	Test Kit with P3961B104001 700 bar Digital Gauge

Includes case, foam inserts, rubber gauge protection shroud, 2m connection hose, 5x male fittings(1/4"BSPP, 1/8"NPT, 1/4"NPT, 7/16"UNO, 9/16"UNO)

GAUGE ADAPTORS AND TEST POINT ACCESSORIES



Test 20
Standard

Size	Thread	STAUFF x-ref	Part Number
1/8"	NPT	SMK201/8NPTPD	6003734
1/4"	NPT	SMK201/4NPTPD	639645
7/16"	UNO	SMK207/16UNFPD	6003735
9/16"	UNO	SMK209/16UNFPE	6003737
M8x1.0	METRIC	SMK20M8X1PA	6003731
M10x1.0	METRIC	SMK20M10X1PA	629237
M12x1.5	METRIC	SMK20M12X1.5PA	632615
M14x1.5	METRIC	SMK20M14X1.5PA	632248
M16x1.5	METRIC	SMK20M16X1.5PA	6003732
1/8"	BSPP	SMK20G1/8PC	689901
1/4"	BSPP	SMK20G1/4PC	680107
3/8"	BSPP	SMK20G3/8PB	6003733
1/8"	BSPT	SMK20R1/8KPD	6003738
1/4"	BSPT	SMK20R1/4KPD	6003739
7/16"	JIC(F)	SMK201/4SK	6003792
1/2"	JIC(F)	SMK205/16SK	6003793
9/16"	JIC(F)	SMK203/8SK	6003794
3/4"	JIC(F)	SMK201/2SK	6003795



Thread(F)	JIC(M)	Part
1/4" BSPP	7/16"	A9DJ0407
1/4" BSPP	9/16"	A9DJ0409
1/2" BSPP	7/16"	A9DJ0807
1/2" BSPP	9/16"	A9DJ0809
1/4" BSPT	7/16"	G3M-0404
3/8" BSPT	9/16"	G3M-0606
1/2" BSPT	3/4"	G3M-0808



2 Mtr Test Line		
Test 20	1/4" BSPP	Part
Female	Female	TFKITHOSE